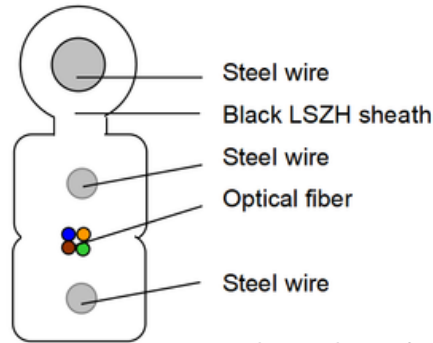


DROP 4H MENSAJERO ACERO 0.5MM ACERO LSZH 1KM

MODELO GJYXCH-4B6



-Color Identification

Fibers color: Blue, Orange, Green, and Brown

Sheath color: Black

Fiber count		4 core	
Attenuation G.652D, G.657 (dB/km)		0.4/0.3	
@1310/@1550nm			
Diameter (mm)		2.0X5.2(±0.2)	
Weight (kg/km)		25	
Tensile strength (N)	Long term	300	
	short term	600	
Crush resistance (N/100mm)	Long term	1000	
	short term	2200	
Bend radius (mm)	Static	30 (G.652)	15 (G.657A)
	Dynamic	60 (G.652)	30 (G.657A)
Operating temperature (°C)		-20~+60	
Easily strip each unit and easily separate the fiber from the sheath.			

- Simple structure, light weight and high practicability;
- Novel flute design easily strip and splice, simplify the installation and maintenance;
- Two parallel steel wire strength members ensure good performance of crush and tension resistance to protect the fiber;
- Single steel wire as the additional strength member ensures good performance of tensile strength;
- If G.657 fiber be put in the cable, ensure the very good bending performance. (Bend radius 10mm/G.657A, Bend radius 7.5mm/G.657B)
- Low smoke, zero halogen and flame retardant sheath;