

NAP NEGRA 2 IN 16H CON SC/APC Y PLC 1*16

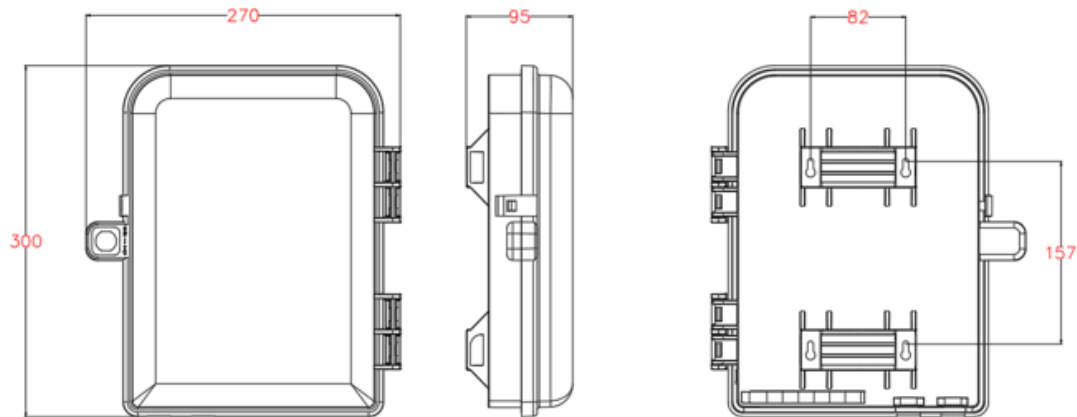
MODELO PB-0216B



Product Description:

1. Product Size

300*270*95mm



2. -Material

- 2.1 Cabinet material: PC+ABS
- 2.2 Color: Gray
- 2.3 Adapter: SC
- 2.4 Density: 1.18g/cm³
- 2.5 Shrinkage rate: 0.50~0.70%
- 2.6 Tensile Modulus: 2700Mpa
- 2.7 Flame retardant grade: UL94V1 or more
- 2.8 Metal Parts had past 48 hours salt spray test

3. -Mechanical capacity

- 3.1 Tension: 500N/1min
- 3.2 Wafering: 200N/100mm
- 3.3 Bending: 150N/±45°/3cycles
- 3.4 Torsion: 50N±90° /3 cycles

4.-Electrical Performance

- 4.1 Insulated Resistance: $2 \times 10^5 \Omega / 500V$
- 4.2 Voltage withstanding stress: $3kV / 1min / 10mA$

5.-Box Features

- 5.1 Protects and manages cable effectively
- 5.2 Secured with anti-theft locking mechanism
- 5.3 Good properties of dust, and moisture proofing, IP65
- 5.4 Clamping for feeder cable and drop cable, fiber splicing, fixation, storage, distribution...etc all in one
- 5.5 Wall and pole mountable (accessories optional)
- 5.6 Suitable for both outdoor and indoor use

6.-Technical parameters

- 6.1 Working temperature : $-25^{\circ}C \sim +55^{\circ}C$ (indoor)
 $-40^{\circ}C \sim +85^{\circ}C$ (outdoor)
 - 6.2 Relative humidity: 25%~75% (+30°C)
 - 6.3 Installation method: wall-mounted or pole-mounted
 - 6.4 Life time: More than 20 years
- ## 7、Packing
- 7.1 1 set/box
 - 7.2 10 box/carton