

# G61T

1GE+CATV XPON ONU



IPv4 & IPv6  
Dual stack



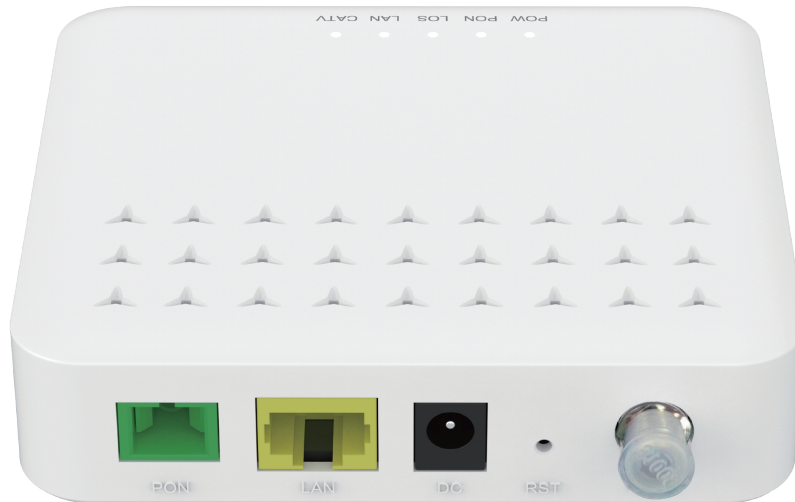
E/GPON Dual  
Mode



Routing & Bridging  
Mode



CATV AGC



# G61T

## XPON CATV ONU

### Introduction

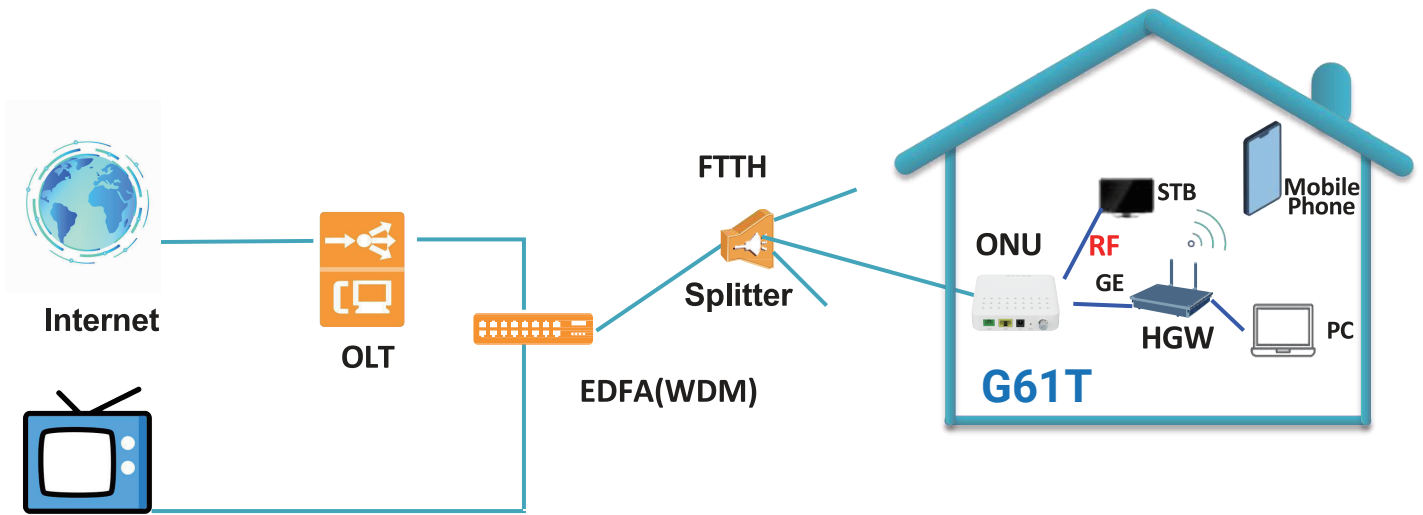
---

G61T is a 1GE+CATV XPON (GPON and GEPON dual-mode) SFU ONU. It is designed to meet the multi-service needs of fixed network operators or cable TV operators. It is widely used in FTTO (office), FTTD (desk), FTTH (home) broadband access, CATV, video surveillance and other requirements. The device is fully compliant with ITU-T G.984/G988 and IEEE802.3ah. The device integrates carrier-grade reliability, maintainability and security design to provide customers with last-mile broadband access for residential and enterprise customers. It can also be applied to strict temperature environments and can work stably for a long time without interruption of service.

G61T is interoperable with all brands of OLT and is easy to install, configure and maintain. The device can identify the working mode of OLT and automatically complete the switching between GPON and EPON. The device can switch freely between bridging mode and routing mode, and supports PPPoE dial-up and IPv6 functions in routing mode to meet the needs of different scenarios.

## Application Chart

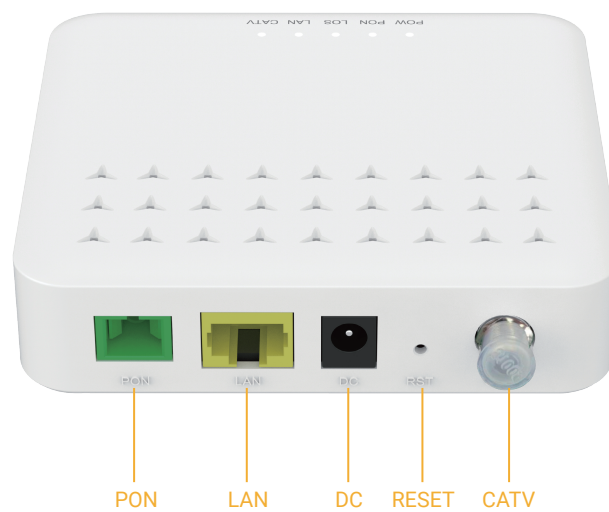
---



CATV

## Product Interface and LED

---



## Product Parameters

Hardware Parameter	
Dimension	120mm x 99 x 39mm (LxWxH)
Net weight	107g
Operating condition	<ul style="list-style-type: none"><li>• Operating temperature: -10 ~ +45°C</li><li>• Operating humidity: 10 ~ 90% (non-condensing)</li></ul>
Storing condition	<ul style="list-style-type: none"><li>• Storage temperature: -40 ~ +70°C</li><li>• Storage humidity: 5 ~ 95% (non-condensing)</li></ul>
Power adaptor	DC 12V/1A, external AC-DC power adaptor
Interfaces	XPON+1GE+CATV
Indicators	Power, LOS, PON, LAN, CATV
Buttons	Reset Button

Interface Parameter	
PON interface	<ul style="list-style-type: none"><li>• 1XPON port(EPON PX20+ and GPON Class B+)</li><li>• PON standard: GEAPON IEEE802.3ah, GPON ITU-T G.984</li><li>• SC single mode, SC/APC or SC/UPC connector</li><li>• TX optical power: 0~4dBm(EPON) or 0.5~5dBm(GPON)</li><li>• RX sensitivity: EPON: -27dBm, GPON: -28dBm</li><li>• Overload optical power: -3dBm(EPON) or -8dBm(GPON)</li><li>• Transmission distance: 20KM</li><li>• Wavelength: TX 1310nm, RX1490nm, CATV 1550nm</li></ul>
LAN interface	1GE Auto-negotiation RJ45 port
CATV interface	<ul style="list-style-type: none"><li>• RF Optical power: +2~-18dBm</li><li>• Optical return loss: ≥45 dB</li><li>• Optical receiving wavelength: 1550±10nm</li><li>• RF frequency range: 47~1000MHz</li><li>• RF output impedance: 75Ω</li><li>• RF output return loss: ≥14 dB</li><li>• RF output level: ≥ 76±2dBuV(@-15~0dBm)</li><li>• AGC range: 0~-15dBm</li><li>• C/N: ≥47dB@-7dBm</li><li>• CTB: ≥60dB@-7dBm</li><li>• CSO: ≥60dB@-7dBm</li><li>• MER: ≥35dB(-10dBm optical input)</li></ul>